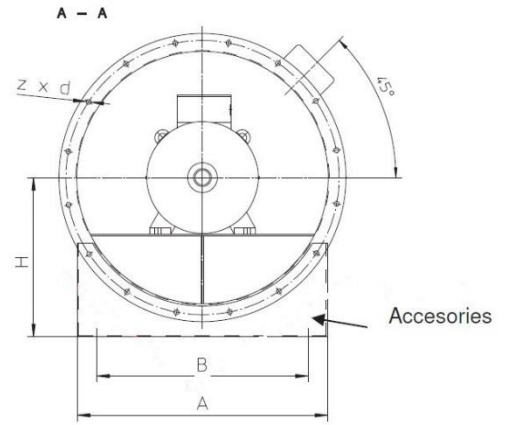
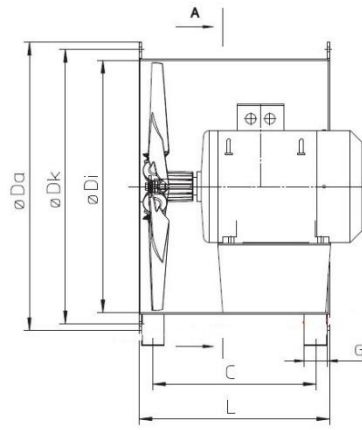


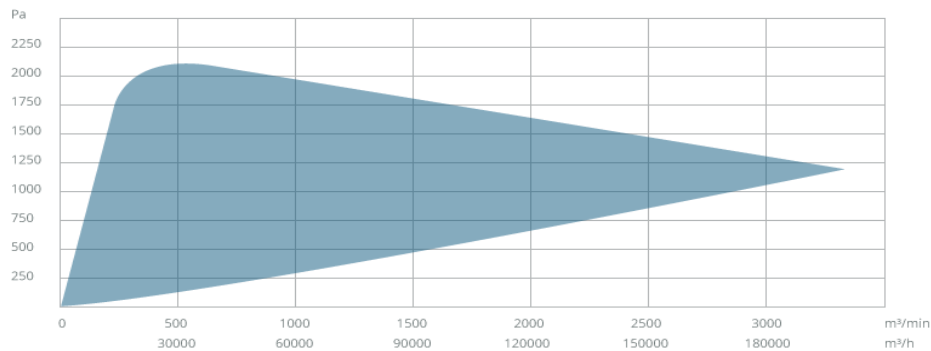
# ABV



Axial duct fan, direct drive, impeller mounted directly on the motor shaft.  
 Housing in a heavy welded industrial design, motor mounted on a frame.  
 Axial fan with aerodynamically optimized blades.  
 Dynamically balanced according to DIN ISO 1940-1; Balance class G 6.3  
 Optimal surface protection by powder or liquid paint.  
 On request available in stainless steel.

Type	Di	Dk	Da	L	C	H	G	A	B	z x $\varnothing d$
ABV 250	252	292	322	250	255	180	40	250	200	8x9,5
ABV 315	317	366	397	300	355	210	40	315	265	8x9,5
ABV 355	357	405	437	400	355	230	40	355	305	8x9,5
ABV 400	402	448	482	450	390	255	50	400	350	12x9,5
ABV 450	452	497	532	480	420	280	50	450	400	12x9,5
ABV 500	502	551	582	480	420	315	50	500	440	12x12
ABV 560	562	629	662	600	540	360	50	560	500	16x12
ABV 630	632	698	732	600	530	405	60	630	560	16x12
ABV 710	713	775	813	700	620	450	70	710	640	16x12
ABV 800	804	861	904	700	620	500	70	800	720	24x14
ABV 900	904	958	1004	700	620	580	70	900	810	24x14
ABV 1000	1005	1067	1105	800	720	635	70	1000	900	24x14
ABV 1120	1125	1200	1245	800	720	700	70	1120	1000	32x14
ABV 1250	1255	1337	1375	1000	900	750	80	1250	1110	32x14
ABV 1400							80	1400		
ABV 1600							100	1600		
ABV 1800							100	1800		
ABV 2000							120	2000		

Druckdifferenz  $\Delta p_t$  /  
 Pressure difference  $\Delta p_t$



**bosa** ventilatoren bv